

# TH-2005 EXCEL PROGRAMMABLE THERMOSTAT

## USER MANUAL (E-Series)

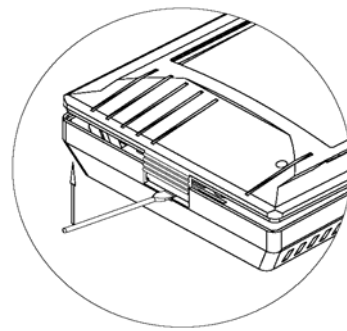
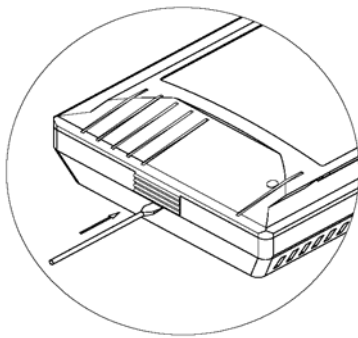
### PART-1-1 CHOOSING LOCATION FOR INSTALLATION

For obtaining thermostat's best performance upon using, recommend user to follow up with precaution listed below.

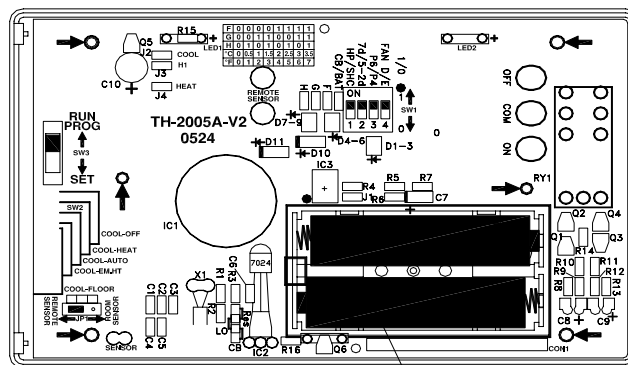
- (1). Place thermostat on wall inside the room approximate 1.5 meter above floor.
- (2). Avoid position where temperature sensing easily interfered by ambience, such as, directly exposed to Sun-Light, too near to any Heat-Generate devices/refrigerator, right next to entrance/exit/window, etc.
- (3). Prevent thermostat from installed at position that furniture may interfere air-flow, stagnant air-flow location is not suitable for installing thermostat.
- (4). Keep thermostat away from high humid ambience, high humidity is hazardous to thermostat's operational duration,
- (5). It's crucial, before installing thermostat, make sure house renovation is finished, no tacky painting/plaster is right on thermostat's installing position.
- (6). To level thermostat prior to installation is not necessary.

### PART-1-2 STRAT INSTALLATION

- (1). How to open top housing



- (2). How to install battery (For Battery Model only) 2 x AA



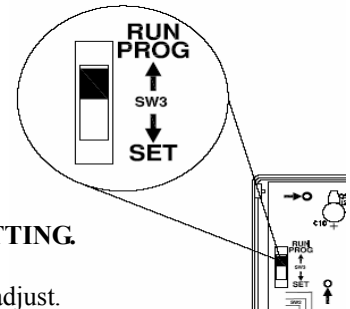
**BATTERY 1.5V "AA" \*2pcs**

**PART- 1-3-1 USER SETTING - ON SCREEN (Setting effective after adjustment,no need to press “RESET”)**

\*\*\*\*\* **SYSTEM SWITCH SWITCHED TO ‘OFF’ PRIOR TO FOLLOWING SETTING** \*\*\*\*\*

(FOR THF-2005-1H-B-0 & TH-2005-1H-B-0, SW3 SWITCHED TO “SET” POSITION BEFORE START SETTING)

- (1). °C/°F --- 1.Press ‘SET’ to enter select. 2. Press ‘OK’ to enter setting,  
3. Press ‘+/-’ to choose setting 4. Press OK to confirm setting.  
5. Press ‘SET’ again for next user setting.
- (2). 24H/12H --- Setting procedure same as above 5 procedures
- (3). SET DATE ---1.Press ‘SET’ to SET DATE. 2. Press ‘OK’ to enter setting.  
3. Press ‘+/-’ to adjust. 4. Press ‘OK’ for next setting.  
5. Repeat procedure 3. 6. Press OK to confirm setting.  
7. Press ‘SET’ for next user setting
- (4). SET CLOCK ---1.Press ‘SET’ to SET CLOCK. 2. Press ‘OK’ and ‘+/-’ to required setting.  
3. Press OK to confirm setting.
- (5). DIFFERENTIAL ---1. Press SET to select ‘SET DIFFERENTIAL’  
2. Press OK to enter setting. 3. Press ‘+/-’ to adjust.  
4. Press OK to confirm setting. 5. Press SET to select next USER SETTING.
- (6). FILTER--- 1. Press SET to select FILTER. 2. Press OK to enter setting. 3. Press ‘+/-’ to adjust.  
4. Press OK To confirm setting. 5. Press SET to next USER SETTING.
- (7). SET RETURN ---1.Press SET to select SET RETURN. 2. Press OK to return and run.



\*\* Continuous to press SET can let user to select any of above 7 items and make adjustment. \*\*

**PART- 1-3-2 USER SETTING - SELECTION BY DIP SWITCH (Press “RESET” after adjustment to effect)**

(1). SW1 : For Entire TH-2005-Series

- Φ 1--HP/SHC : Heat-Pump/Standard Heat & Cool
- 2--7d/5-2d : Day-Program
- 3--P6/P4 : 6 or 4 Program period
- 4--FAN D/E : Fan Disable/Enable

\*\*Factory preset “SW1 1 to 4 – 0111. on model THF-2005-1H-B-0 & TH-2005-1H-B-0  
– 1110 on rest of models other than above.

\*\*DO NOT CHANGE SW1-1 & SW1-4 Factory Preset  
ON MODEL THF-2005-1H-B-0 & TH-2005-1H-B-0

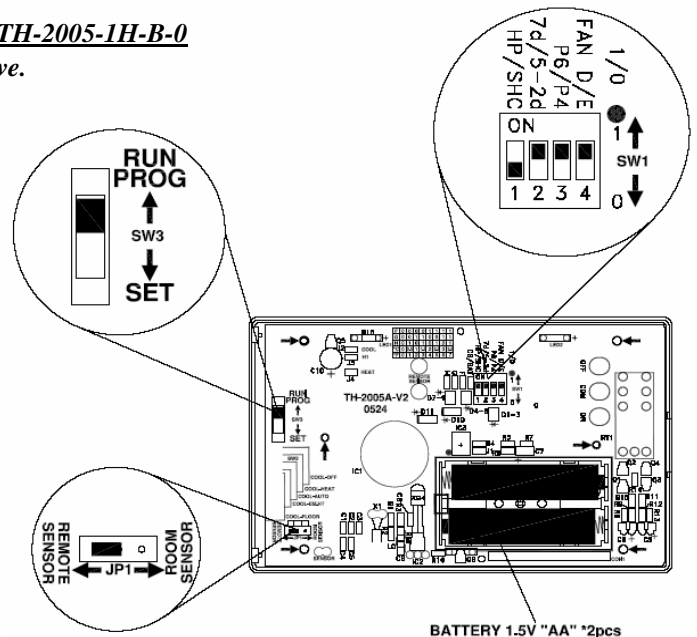
- Φ System 3-minute delay start protection(operate logic as below)
- Φ Fan 90-second delay off

**Φ-1 When Select SHC Mode Fan Operate Logic**

<u>Under Cool Mode</u>	<u>Under Heat Mode</u>
Cool→ON	Heat→ON
Fan →ON	Fan→ OFF
Fan Speed : Hi/Lo determined by program.	

**Φ-2 When Select HP Mode Fan Operate Logic**

<u>Under Cool Mode</u>	<u>Under Heat Mode</u>
Cool→On	Heat→On
Fan →On	Fan →On
Fan Speed : Lo only.	Fan Speed : Hi/Lo determined by program



**Φ-3 When Select SHC Mode System 3-minute delay start protection operate logic**

Under Cool Mode  
Cool→YES

Under Heat Mode  
Heat→NO

**Φ-4 When Select HP Mode System 3-minute delay start protection operate logic**

Under Cool Mode  
Cool→YES

Under Heat Mode  
Heat→YES

**Φ-5 When Select SHC Mode Fan 90-Second delay off operate logic**

Under Cool Mode  
Cool→YES

Under Heat Mode  
Heat→NO

**Φ-6 When Select HP Mode Fan 90-Second delay off operate logic**

Under Cool Mode  
Cool→YES

Under Heat Mode  
Heat→YES

**(2).SW3 : For THF-2005-1H-B-0 & TH-2005-1H-B-0 Only**

**RUN PROG.** : Begin to run program (after setting adjustment completed)

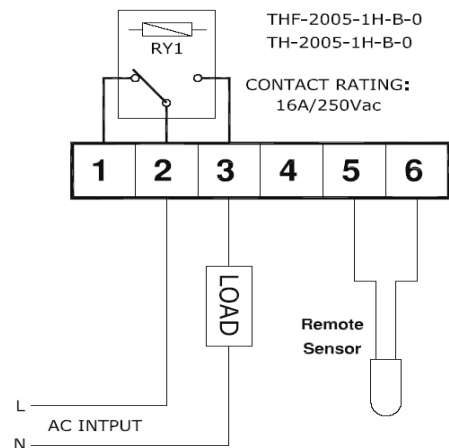
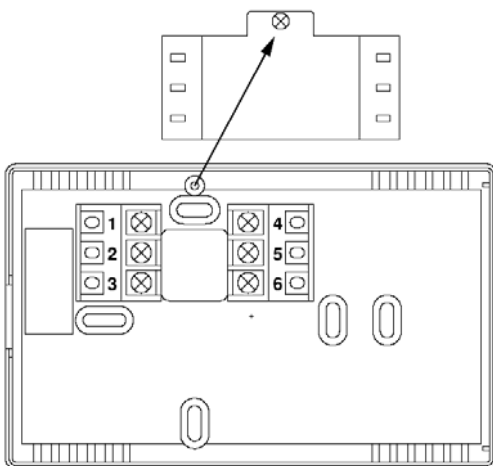
**SET** : User Setting (Switched to this position before changing Factory preset)

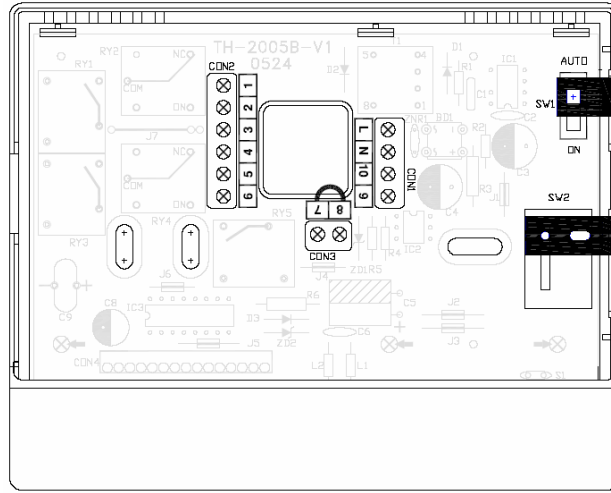
**(3).JP1 : For Entire TH-2005-Series**

To select either thermostat temperature-control determinant by Room-Sensor (Internal Sensor) or Remote-Sensor.

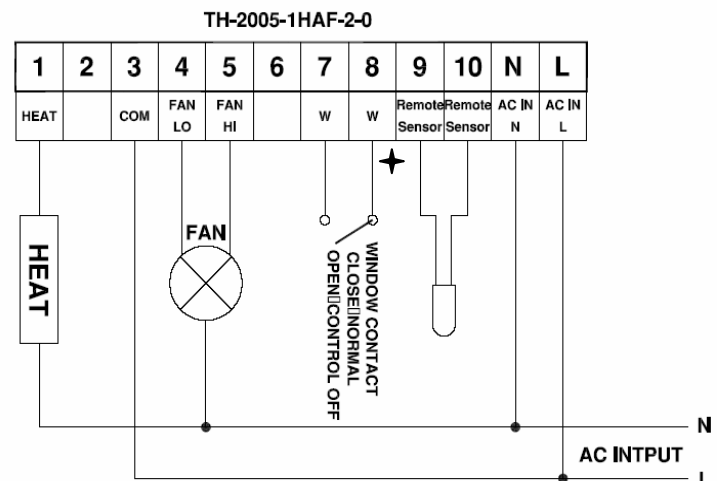
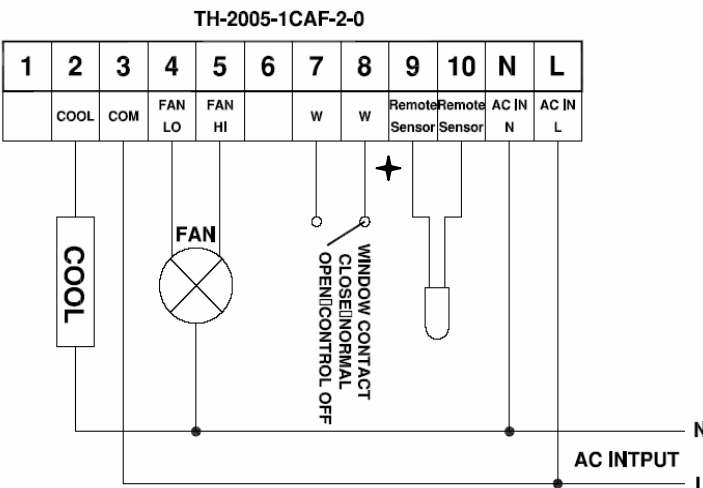
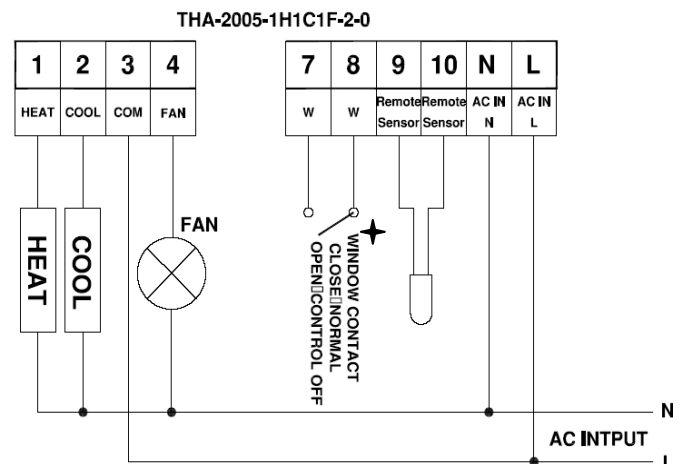
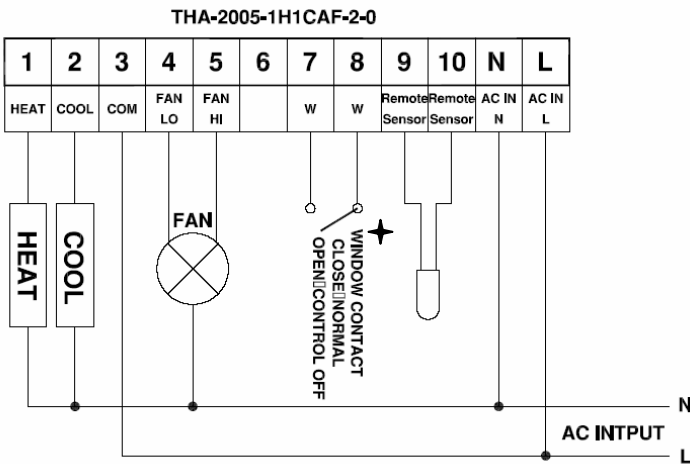
**PART-1-4-1 WIRING –PART-A For THF-2005-1H-B-0 & TH-2005-1H-B-0 only.**

Unscrew to take safety cover off and to proceed wiring as illustration





**WINDOW CONTACT:** Terminal 7 & 8 Connected by wire at manufacturing, when **『**Disconnected, Heat/Cool/Fan Output will be Cut-Off. This special made mechanism for extensional ON/OFF control purpose. Please do not take wire off terminal 7 & 8 unless WINDOW-CONTACT Function shall be in use.



## PART- 2-1 START TO PROGRAM THERMOSTAT

### A. TH-2005 KEY PAD

1. **Set** key : Setting Selection
2. **+/-** key : '+' Increase or skip to next. '-' Decrease or return to previous
3. **ok** key : Press to enter setting or return to program executing.
4. **RESET** key : Reset (Thermostat shall return to its Factory-Preset if this key is pressed)

### B. PROGRAM REVIEW: MOVE SYSTEM SWITCH AWAY FROM “OFF”

- (1). Press **SET** to enter.
- (2). Press '+' or '-' to review each Temperature/Time Setting (Program)

### D. PROGRAM SETTING: MOVE SYSTEM SWITCH AWAY FROM “OFF” AND START SETTING.

- (1). Weekdays/Weekend, Temperature and Time setting in sequence.

#### For 7-d Program

Press **SET** to select program setting, setting starting from Mo-MORN (Monday-Morning).

1. Press **OK** to enter Monday-Morning Temperature setting. (P1 Temp. setting)
2. Press '+/-' to adjust temperature setting
3. Press **OK** to finish Monday-Morning Temperature setting and begin Time-setting for Mo-MORN.
4. Press '+/-' to adjust Time setting (for Mo-MORN, P1 Time setting)
5. Press **OK** to complete whole Mo-MORN Temp. & Time Setting.
6. Press '+/-' for next (Mo-Day) Temp. & Time setting. (P2 of Monday)
5. Repeat procedure 1 to 5, to complete setting of rest of programs on Monday and entire setting Throughout whole 7-day.

#### For 5+2d Program

Presses **SET** to select program setting, Monday through Friday are bound in program setting.

1. Press **OK** to enter 1<sup>st</sup> Temperature\Time (P1 of 5d), Press '+' or '-' to adjust setting.  
(Operational logic same as procedure 1 to 5 stated in 7-d Program).
2. To adjust setting for Saturday & Sunday by same operational logic in adjusting 7d.

		Mode 5+2d	P4	Factory Preset
Weekday	Time	Temperature		
		Switch on heat	Switch on cooling	
<b>Mon. ~ Fri.</b>				
<b>MORN(P1)</b>	<b>6:00</b>	<b>70°F(21°C)</b>	<b>75°F(24°C)</b>	
<b>DAY(P2)</b>	<b>8:30</b>	<b>60°F(15.5°C)</b>	<b>85°F(29.5°C)</b>	
<b>EVEN(P3)</b>	<b>4:30 PM</b>	<b>70°F(21°C)</b>	<b>75°F(24°C)</b>	
<b>NIGHT(P4)</b>	<b>10:30 PM</b>	<b>65°F(18.5°C)</b>	<b>80°F(26.5°C)</b>	
Saturday	Time	Temperature		
		Switch on heat	Switch on cooling	
<b>MORN(P1)</b>	<b>7:00</b>	<b>70°F(21°C)</b>	<b>75°F(24°C)</b>	
<b>DAY(P2)</b>	<b>8:30</b>	<b>70°F(21°C)</b>	<b>85°F(29.5°C)</b>	
<b>EVEN(P3)</b>	<b>4:30 PM</b>	<b>70°F(21°C)</b>	<b>75°F(24°C)</b>	
<b>NIGHT(P4)</b>	<b>10:30 PM</b>	<b>65°F(18.5°C)</b>	<b>80°F(26.5°C)</b>	
Sunday	Time	Temperature		
		Switch on heat	Switch on cooling	
<b>MORN(P1)</b>	<b>7:00</b>	<b>70°F(21°C)</b>	<b>75°F(24°C)</b>	
<b>DAY(P2)</b>	<b>8:30</b>	<b>70°F(21°C)</b>	<b>85°F(29.5°C)</b>	
<b>EVEN(P3)</b>	<b>4:30 PM</b>	<b>70°F(21°C)</b>	<b>75°F(24°C)</b>	
<b>NIGHT(P4)</b>	<b>10:30 PM</b>	<b>65°F(18.5°C)</b>	<b>80°F(26.5°C)</b>	

**Reminder :** 1. To program's logic, each day's ending time is at **11:59 in 12H-Format, 23:59 in 24H-Format**, therefore : **do not set 12:00 PM for NIGHT(P4) nor 24:00 for NIGHT(P6).**

2. Thermostat is designed to run programs by sequential order, do not set program either “overlap” In time sequence, nor non-sequential Time-setting in program setting, this will lead chaos to Thermostat’s operational logic.

**Mode 7-d P6 Factory Preset**

Mon, Tue, Wed, Thu, Fri	Time	Temperature	
		Switch on heat	Switch on cooling
MORN(P1)	6:00	70°F(21°C)	75°F(24°C)
DAY(P2)	8:30	60°F(15.5°C)	85°F(29.5°C)
<b>NOON(P3)</b>	<b>12:00pm</b>	<b>70°F(21°C)</b>	<b>75°F(24°C)</b>
<b>BREAK(P4)</b>	<b>2:00pm</b>	<b>60°F(15.5°C)</b>	<b>85°F(29.5°C)</b>
EVEN(P5)	4:30pm	70°F(21°C)	75°F(24°C)
NIGHT(P6)	10:30pm	65°F(18.5°C)	80°F(26.5°C)
Saturday	Time	Temperature	
		Switch on heat	Switch on cooling
MORN(P1)	7:00	70°F(21°C)	75°F(24°C)
DAY(P2)	8:30	70°F(21°C)	75°F(24°C)
<b>NOON(P3)</b>	<b>12:00pm</b>	<b>70°F(21°C)</b>	<b>75°F(24°C)</b>
<b>BREAK(P4)</b>	<b>2:00pm</b>	<b>70°F(21°C)</b>	<b>75°F(24°C)</b>
EVEN(P5)	4:30pm	70°F(21°C)	75°F(24°C)
NIGHT(P6)	10:30pm	65°F(18.5°C)	80°F(26.5°C)
Sunday	Time	Temperature	
		Switch on heat	Switch on cooling
MORN(P1)	7:00	70°F(21°C)	75°F(24°C)
DAY(P2)	8:30	70°F(21°C)	75°F(24°C)
<b>NOON(P3)</b>	<b>12:00pm</b>	<b>70°F(21°C)</b>	<b>75°F(24°C)</b>
<b>BREAK(P4)</b>	<b>2:00pm</b>	<b>70°F(21°C)</b>	<b>75°F(24°C)</b>
EVEN(P5)	4:30pm	70°F(21°C)	75°F(24°C)
NIGHT(P6)	10:30pm	65°F(18.5°C)	80°F(26.5°C)

When choose **P4**, **NOON** and **BREAK** will vanish from screen.

**Reminder :** 1. To program’s logic, each day’s ending time is at **11:59 in 12H-Format, 23:59 in 24H-Format**. Therefore ; **do not set 12:00 PM for NIGHT(P4) nor 24:00 for NIGHT(P6)**.

2. Thermostat is designed to run programs by sequential order, do not set program either “overlap” In time sequence, nor non-sequential Time-setting in program setting, this will lead chaos to Thermostat’s operational logic.

**(2).Choose specified day in week for setting or change setting.**

Press **SET** to select setting, continuous press ‘+’to desired **Day/Time**. (On LCD Display, users shall see ”**REVIEW**” in Flashing)

1. Press **OK** to enter setting.
2. Press ‘+ or -’to change setting/adjust setting
3. Press **OK** to enter “review program”.
4. Press ‘+ or -’to choose desired Day/Time for next setting.

**(3).Copy (available in 7-d mode only) - 2 methods to enter Copy mode**

**A.** Select any day in week, and start **SETTING** its entire Temperature/Time of that day, upon finishing entire Temperature/Time setting of the day, Press **OK** to confirm setting and then Press **SET** to enter **COPY MODE**.

1. Press **OK** to choose Copy Program” **FROM** (read what’s flashing on LCD)”.
2. Press ‘+ or -’to choose a “**DAY**” as program copy basis
3. Press **OK** again to choose Copy Program “**TO** (read what’s flashing on LCD).
4. Press ‘+ or -’to choose a “**DAY**” as program copy basis.
5. Press **OK** to confirm setting. (on top of LCD, user shall see flashing “**COPY**”).
6. Press **SET** to return (read flashing on LCD).
7. Press **OK** to run programs.

**B.** Continuous press ”**SET**” 2 times under any Temperature/Time setting (Program) to enter **COPY MODE**, and to follow Operational procedure listed above.

4). **MANUAL** – 4 functions comprised in this category. Move System switch away from “OFF”

**A. Temporary Override- Change current Temperature setting until next program’s executing.**

1. Press **OK** to enter, Continuous Press **SET** to desired function for setting adjusting, Press **OK** again.
2. Press **+ or -** to adjust Temperature. (Temp. Set in flashing)
3. Press **OK** to run **Temporary Override** function.
4. Upon **Temporary Override** is in executing, Press **OK** shall terminate its executing.

**B. Comfort Override- Change current temperature setting and hold new setting for required hours. Thermostat to operate by its original programmed parameter upon Comfort Override executing ceased.**

1. Press **OK** to enter, Continuous Press **SET** to desired function for setting adjusting, Press **OK** again.
2. Press **+ or -** to adjust Temperature. (Temp. Set in flashing)
3. Press **OK** to select executing time of comfort-override
4. Press **+ or -** to adjust Time (minimum 1 hour).
5. Press **OK** to run **Comfort Override**.
6. Upon **Comfort Override** is in executing, Press **OK** shall terminate its executing.

**C. Permanent Hold Temperature- Change current temperature setting and to execute new setting Until it is called off.(by press OK)**

1. Press **OK** to enter, Continuous Press **SET** to desired function for setting adjusting, Press **OK** again.
2. Press **+ or -** to adjust Temperature.(Temp. Set in flashing)
3. Press **OK** to run **Permanent Hold Temperature** function.
4. Upon **Permanent Hold Temperature** is in executing, Press **OK** shall terminate its executing.

**D. Hold Temperature Until.(Vacation Hold)- Change current temperature setting and to execute New setting until specified date.**

1. Press **OK** to enter, Continuous Press **SET** to desired function for setting adjusting, Press **OK** again.
2. Press **+ or -** to adjust Temperature.(Temp. Set in flashing)
3. Press **OK** to select executing duration of Hold-Temperature Until. **to**
4. Press **+ or -** to select **Month**. Press **OK** again to adjust **Day**, Press **+ or -** to select **DAY**.
5. Press **OK** to run **Hold Temperature Until**.
6. Upon **Hold Temperature Until**. is in executing, Press **OK** shall terminate its executing.